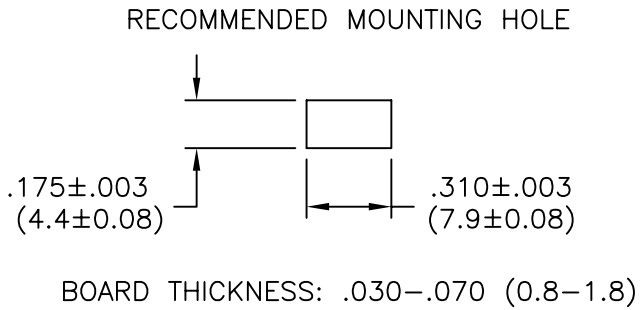
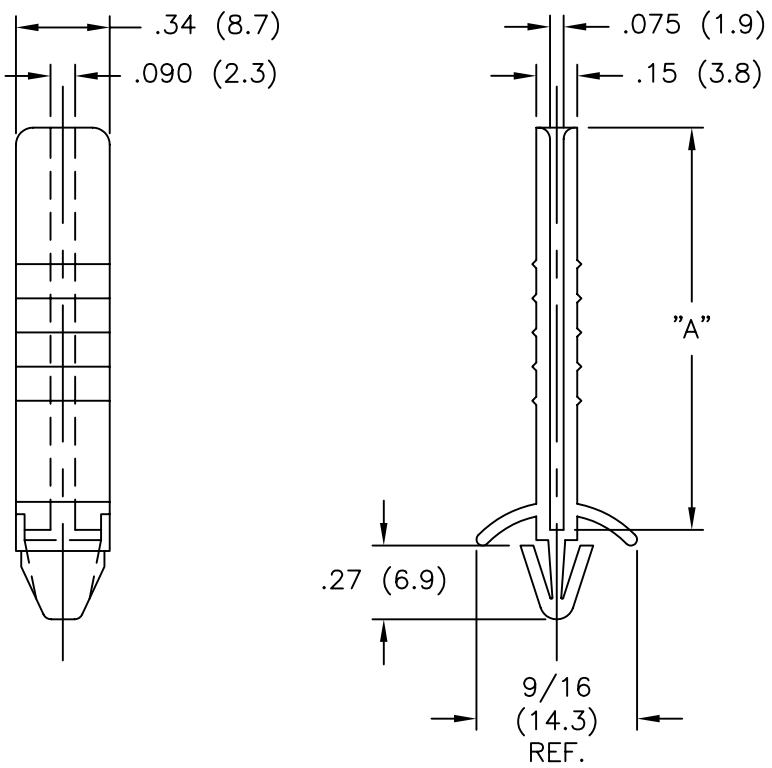


PART NO.	OVER-ALL HEIGHT "A" ±.015 (±0.4)
CBG-1-01	1.0 (25.4)
CBG-1.5-01	1.5 (38.1)
CBG-2-01	2.0 (50.8)
CBG-3-01	3.0 (76.2)



- NOTES:
- MATERIAL: NYLON 6/6 (RMS-01).
FLAME RETARDANT NYLON (RMS-19),
AVAILABLE BY SPECIAL ORDER ONLY.
 - COLOR: NATURAL.

<table border="1"> <tr> <td>E</td> <td>UPDATED PRINT, DIM .27 WAS .25</td> <td>SM 12.03.01</td> </tr> <tr> <td>D</td> <td>CHANGED FILE NUMBER</td> <td>SM 05.11.01</td> </tr> <tr> <td>C</td> <td>CHANGED FRACTIONAL DIM. TO DECIMAL, ADDED TOLERANCE ±.003</td> <td>SM 02.21.01</td> </tr> <tr> <td>B</td> <td>MAT'L RMS-19 ADDED</td> <td>J.L. 12.18.97</td> </tr> <tr> <td>A</td> <td>CONVERTED TO ACAD</td> <td>PB 02.01.95</td> </tr> <tr> <td>REV</td> <td>DESCRIPTION</td> <td>ENGR DATE</td> </tr> </table>			E	UPDATED PRINT, DIM .27 WAS .25	SM 12.03.01	D	CHANGED FILE NUMBER	SM 05.11.01	C	CHANGED FRACTIONAL DIM. TO DECIMAL, ADDED TOLERANCE ±.003	SM 02.21.01	B	MAT'L RMS-19 ADDED	J.L. 12.18.97	A	CONVERTED TO ACAD	PB 02.01.95	REV	DESCRIPTION	ENGR DATE	<p>TITLE: CIRCUIT BOARD GUIDES</p>							
E	UPDATED PRINT, DIM .27 WAS .25	SM 12.03.01																										
D	CHANGED FILE NUMBER	SM 05.11.01																										
C	CHANGED FRACTIONAL DIM. TO DECIMAL, ADDED TOLERANCE ±.003	SM 02.21.01																										
B	MAT'L RMS-19 ADDED	J.L. 12.18.97																										
A	CONVERTED TO ACAD	PB 02.01.95																										
REV	DESCRIPTION	ENGR DATE																										
<p>TOLERANCES UNLESS NOTED .XX=±.010 .XXX=±.005 FRAC=±1/64 ANG=±1°</p>			<p>FILE # CBG</p> <p>MAT'L: SEE NOTES</p> <p>RE: RICHCO, INC.</p>		<p>DWN: P.B.</p> <p>DT: 02-01-95</p> <p>RICHCO INC. PO BOX 804238, CHICAGO, 60680 (773) 539-4060</p>		<p>APP:</p> <p>DT:</p>		<p>DWG IN IN (MM)</p> <p>FINAL</p>																			
						<p>PART #</p> <p>SEE TABLE</p>		<p>PRINT TYPE</p> <p>CA</p>																				